

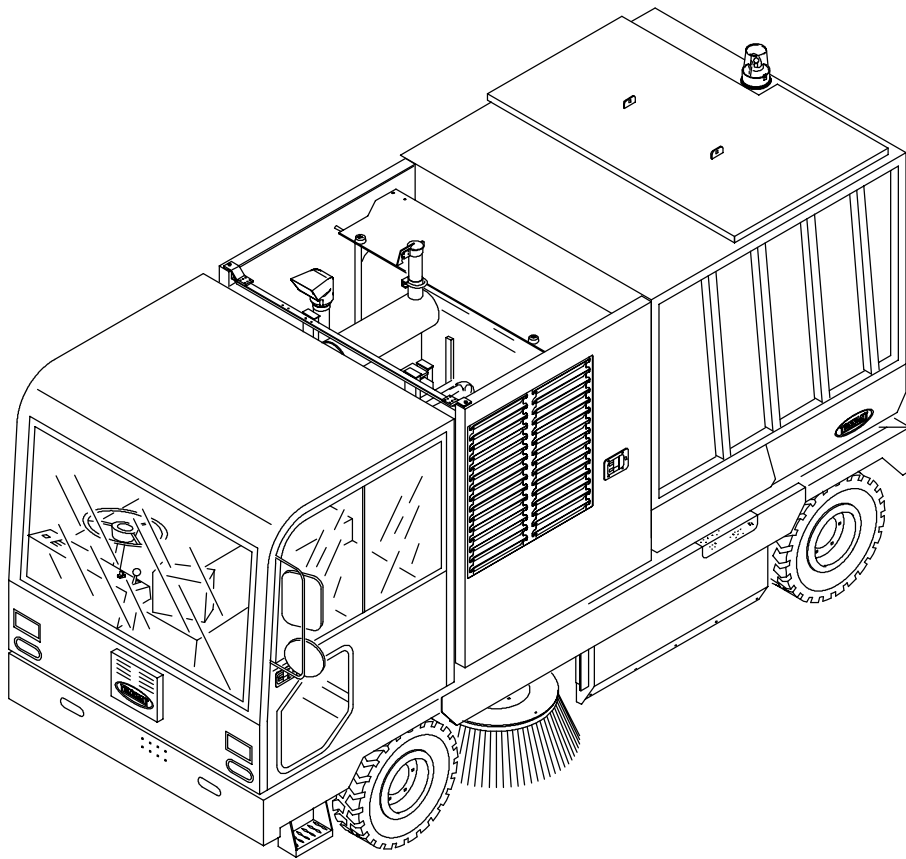


FLOOR-EQUIPMENT-PARTS.COM



830-II

Cummins 4 Cylinder Engine Breakdown



330492

Rev. 00





This manual is furnished with each new TENNANT Model 830.

This manual consists of the *4 Cylinder Cummins Engine Breakdown*.

MACHINE DATA

Please fill out at time of installation for future reference.

Machine Model Number - 830-II

Machine Serial Number - _____

Machine Options - _____

TENNANT Representative/phone no. - _____

Customer ID Number - _____

Date of Installation - _____

Manual Number - 330492

Revision: 00

Published: 11-00

SECTION 8

CONTENTS	PAGE
Fig. 1 - Cummins 4 Cyl. General Recommended Maintenance Items	8-3
Fig. 2 - Cummins 4 Cyl. Engine Group	8-4
Fig. 3 - Cummins 4 Cyl. Radiator Group	8-6
Fig. 4 - Cummins 4 Cyl. Air Cleaner Group	8-8
Fig. 5 - Cummins 4 Cyl. Fuel Solenoid Group	8-10
Fig. 6 - Cummins 4 Cyl. Hydraulic Hoses and Fittings Group	8-11
Fig. 7 - Cummins 4 Cyl. Surge Tank Group	8-12
Fig. 8 - Cummins 4 Cyl. Hydraulic Pump Group	8-14
Fig. 9 - Cummins 4 Cyl. Muffler Group	8-16
Fig. 10 - Cummins 4 Cyl. Battery Group	8-18
Fig. 11 - Cummins 4 Cyl. Fuel lines and Throttle Group	8-20
Fig. 12 - Cummins 4 Cyl. Documentaion Group	8-22

CUMMINS 4 CYLINDER ENGINE BREAKDOWN

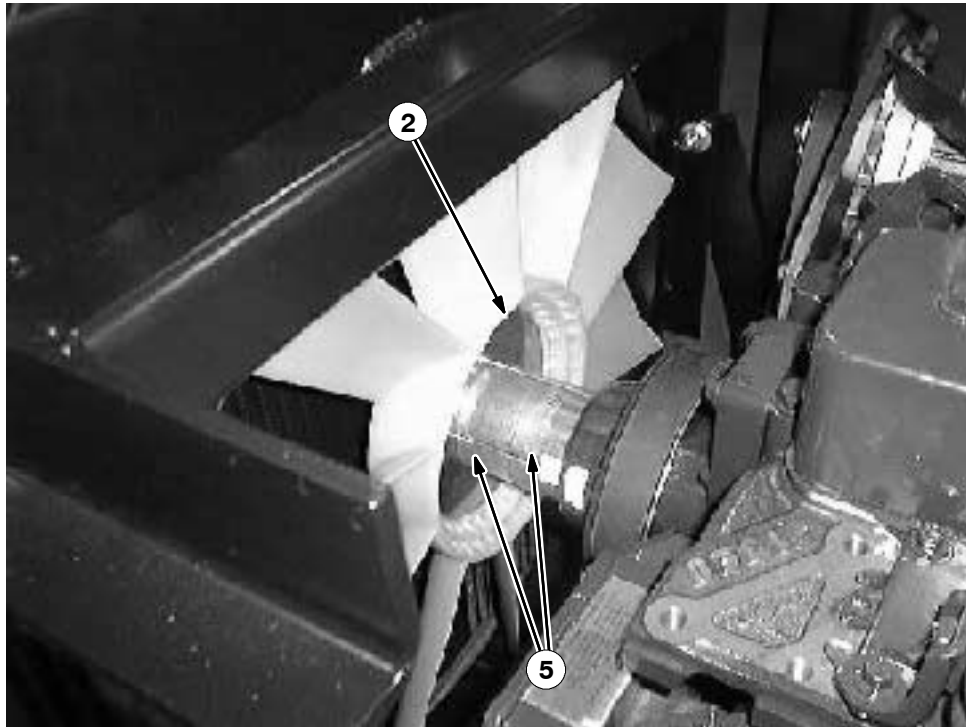
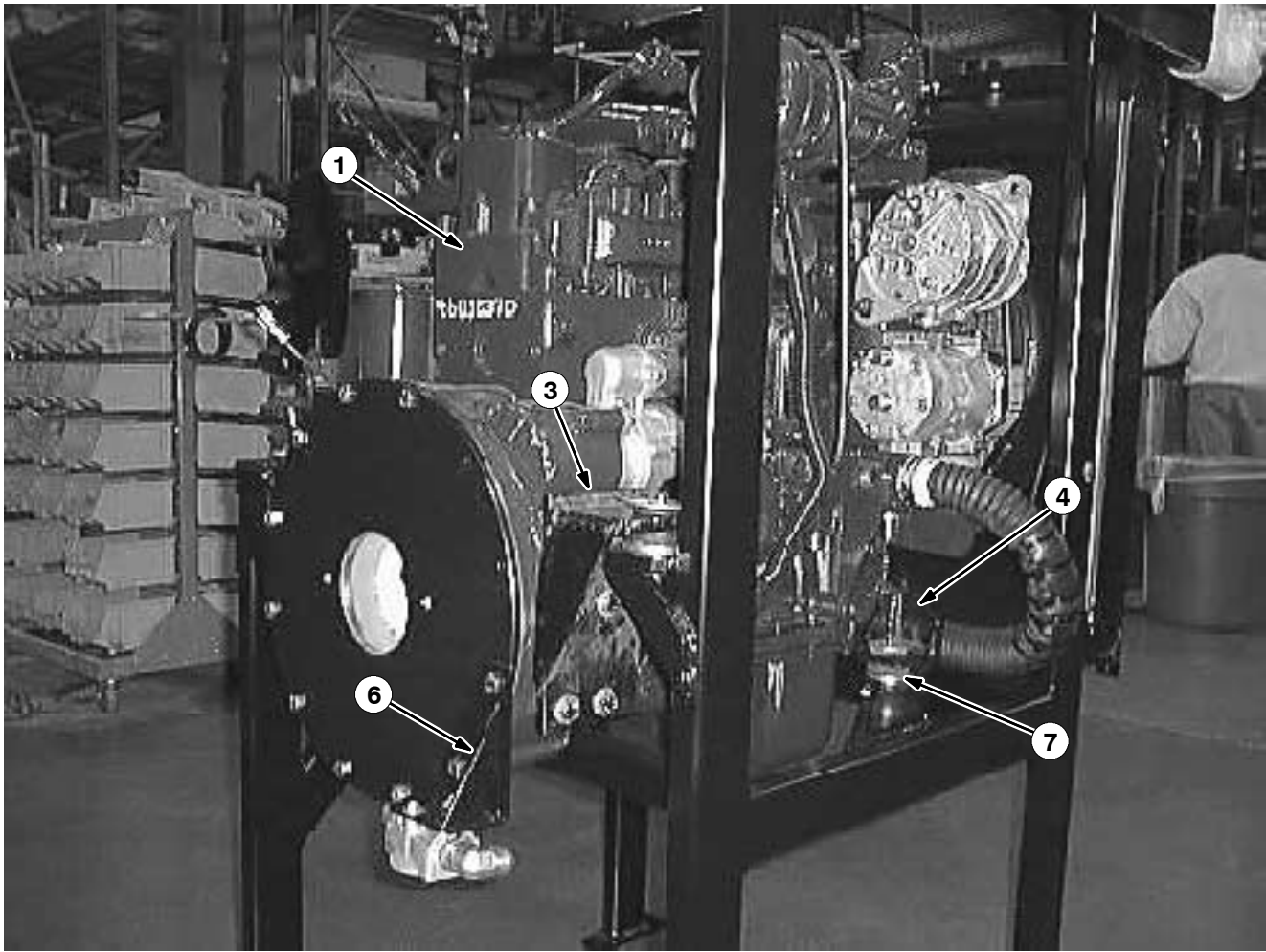
CUMMINS 4 CYLINDER ENGINE BREAKDOWN

Fig. 1 - Cummins 4 Cyl. General Recommended Maintenance Items

Ref.	Tennant Part No.	Machine Serial Number	Description	Qty.
▽	769082	(000000-) Kit, Maintenance Parts	1
▲	769786	(000000-) Filter, Fuel	1
▲	769002	(000000-) Element, Filter, Engine Oil	1
▲	310653	(000000-) Filter, Air Cleaner, PRI	1
▲	769003	(000000-) Belt, Engine	1
▲	310654	(000000-) Filter, Sec.	1

CUMMINS 4 CYLINDER ENGINE BREAKDOWN

Fig. 2 - Cummins 4 Cyl. Engine Group



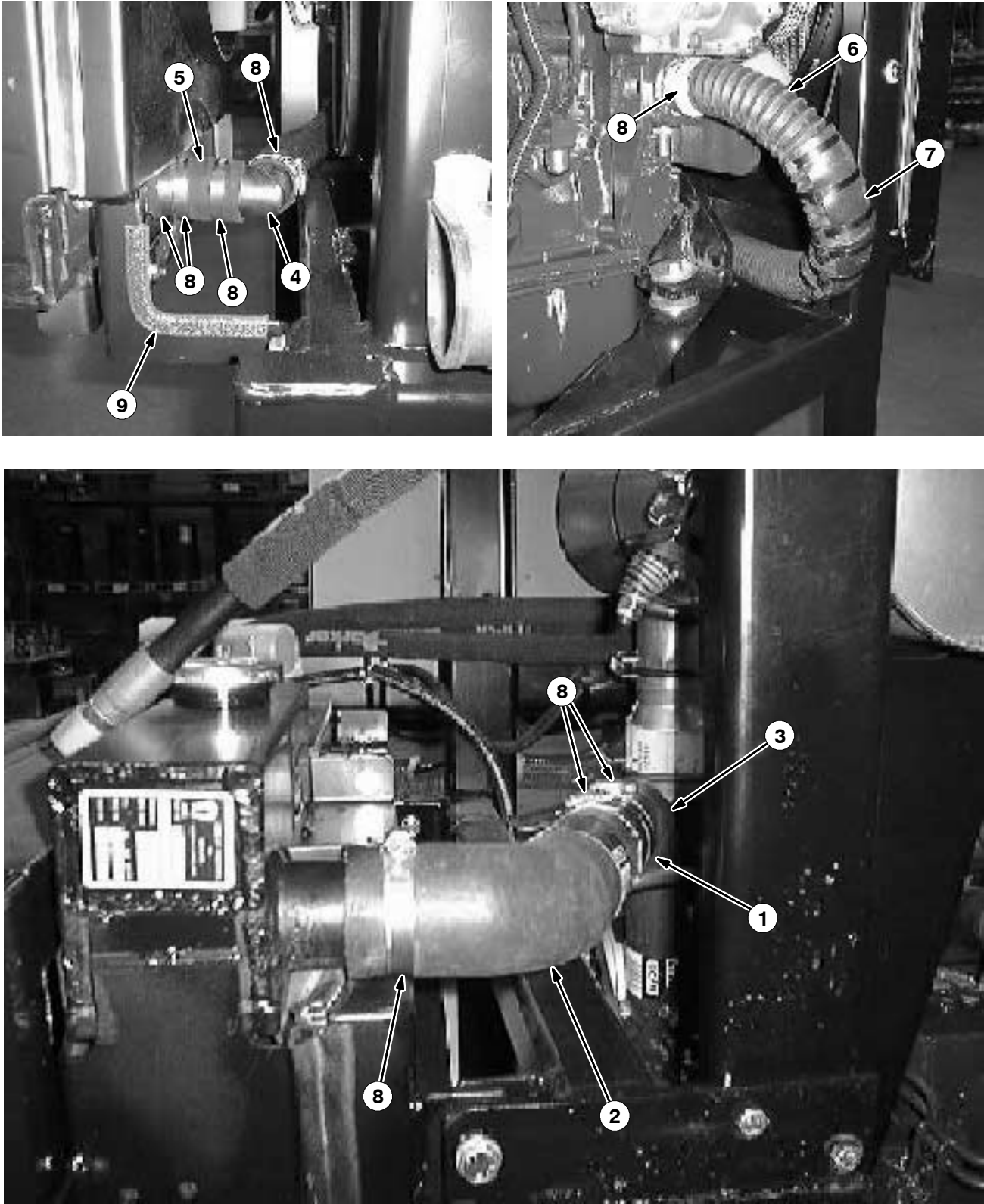
CUMMINS 4 CYLINDER ENGINE BREAKDOWN

Fig. 2 - Cummins 4 Cyl. Engine Group

Ref.	Tennant Part No.	Machine Serial Number	Description	Qty.
1	769100	(000000-) Engine, Turbo, Cummins 4 Cyl.	1
2	769743	(000000-) Fan, Engine	1
3	770618	(000000-) Bracket Wldt, Engine, Rear Rh	1
4	770614	(000000-) Bracket Wldt, Engine, Front Rh	1
5	769824	(000000-) Spacer	2
6	769169	(000000-) Bracket, Wldt, Hyd Filter	1
7	764014	(000000-) Isolator	1

CUMMINS 4 CYLINDER ENGINE BREAKDOWN

Fig. 3 - Cummins 4 Cyl. Radiator Group



CUMMINS 4 CYLINDER ENGINE BREAKDOWN

Fig. 3 - Cummins 4 Cyl. Radiator Group

Ref.	Tennant Part No.	Machine Serial Number	Description	Qty.
1	769160	(000000-) Tube, Water, Upper	1
2	769163	(000000-) Hose Modification, Radiator, Upper	1
3	769164	(000000-) Hose, Engine, Upper	1
4	769745	(000000-) Tube, Radiator, Lower	1
5	769746	(000000-) Hose, Radiator	1
6	769748	(000000-) Hose, Radiator	1
7	762178	(000000-) Guard, Hose, Rubber 3"	1
8	14432	(000000-) Clamp, Hose, Wormdrive	8
9	C460140	(000000-) Molding, Trim, 10"	1

CUMMINS 4 CYLINDER ENGINE BREAKDOWN

Fig. 4 - Cummins 4 Cyl. Air Cleaner Group

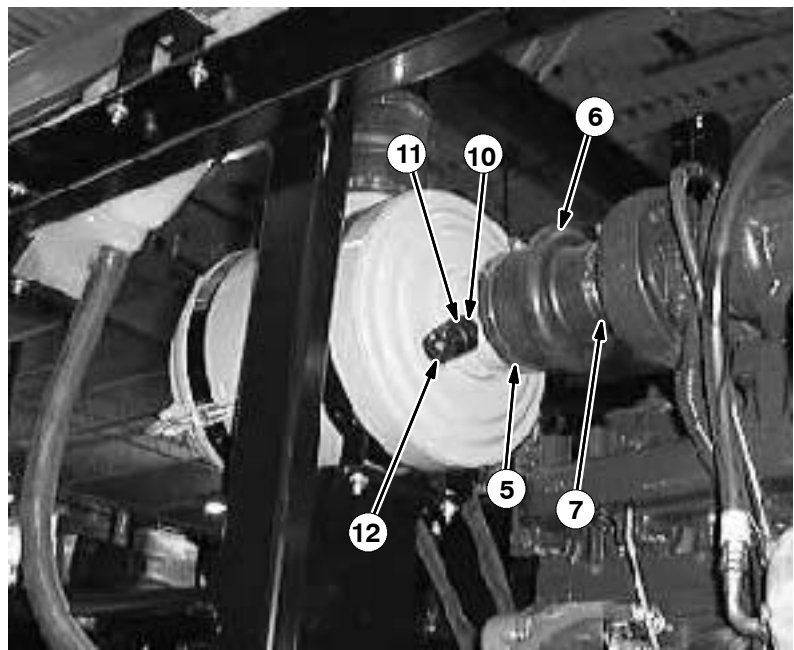
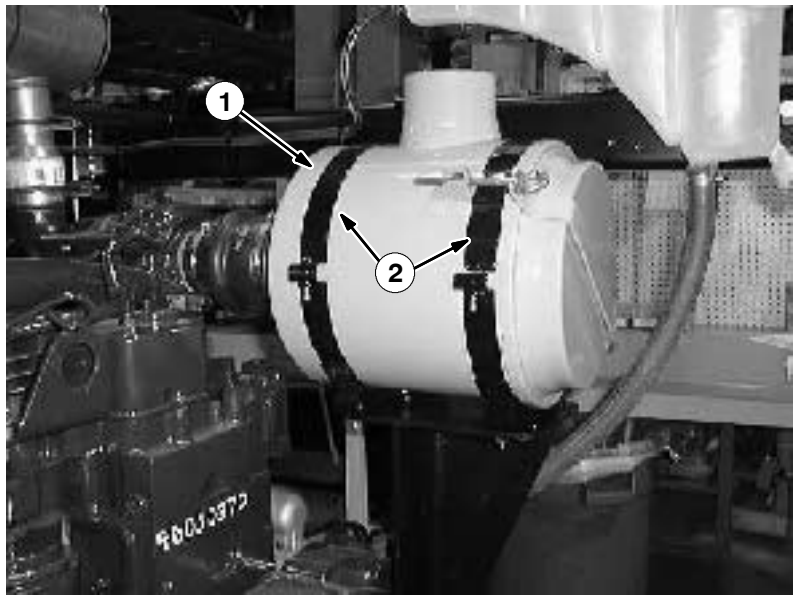
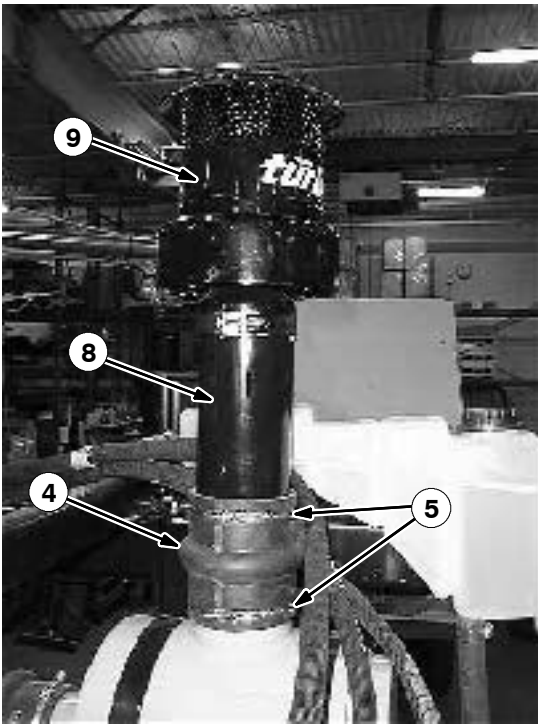
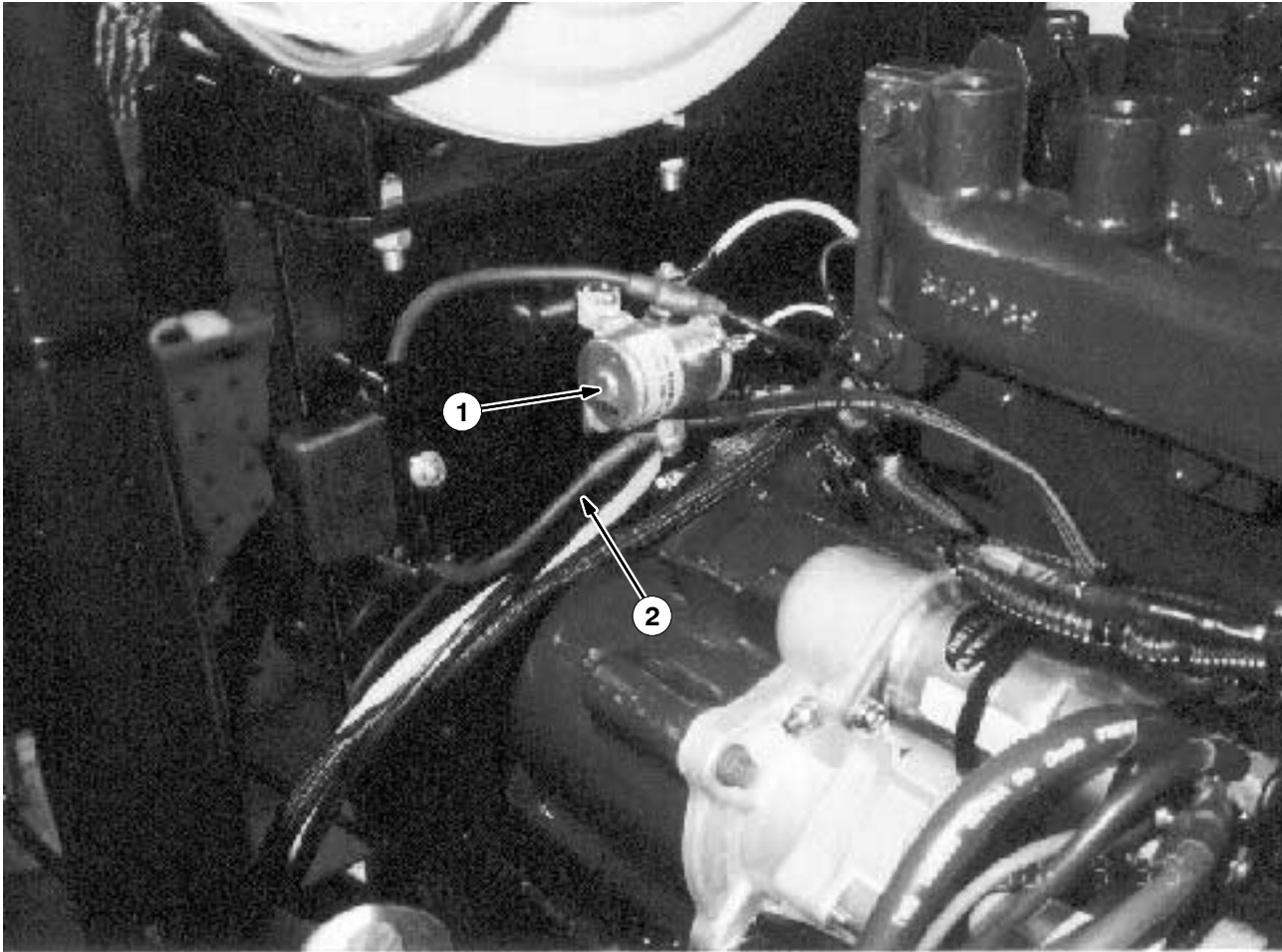


Fig. 4 - Cummins 4 Cyl. Air Cleaner Group

Ref.	Tennant Part No.	Machine Serial Number	Description	Qty.
1	769120	(000000-) Air Cleaner	1
2	310655	(000000-) Band, Mounting, Air Cleaner, Cat	2
3	769125	(000000-) Bracket Wldt., Cleaner, Air	1
4	764292	(000000-) Hump Hose 4"	1
5	770612	(000000-) Clamp, Spring, 110-120MM	3
6	769141	(000000-) Hose, Reducer	1
7	310667	(000000-) Clamp, Spring, 80-90MM	1
8	769144	(000000-) Tube, Intake 4"	1
9	769483	(000000-) Filter, Pre-cleaner	1
10	24976	(000000-) Fitting, Brs, E45	1
11	47566	(000000-) Fitting, Hyd, Str	1
12	768568	(000000-) Switch, Vacuum Indicator	1

CUMMINS 4 CYLINDER ENGINE BREAKDOWN

Fig. 5 - Cummins 4 Cyl. Fuel Solenoid Group



Ref.	Tennant Part No.	Machine Serial Number	Description	Qty.
1	375117	(000000-) Contactor, 12VDC	1
2	768689	(000000-) Harness, Fuel Solenoid	1

CUMMINS 4 CYLINDER ENGINE BREAKDOWN

Fig. 6 - Cummins 4 Cyl. Hydraulic Hoses and Fittings Group

Ref.	Tennant Part No.	Machine Serial Number	Description	Qty.
1	762109	(000000-) Fitting, Special	1
2	762417	(000000-) Hose, Hyd	1
3	762464	(000000-) Fitting, Hyd	1
4	762156	(000000-) Fitting, Hyd, Plug	1
5	769204	(000000-) Fitting, Hyd, E90	1
6	768877	(000000-) Fitting, Hyd	1
7	769789	(000000-) Fitting, Hyd, E45	1
8	769775	(000000-) Fitting, Hyd	1
9	769260	(000000-) Fitting, Hyd	1
10	769763	(000000-) Fitting, Hyd	1
11	769776	(000000-) Fitting, Vibra-Lok Elbow	1
12	769299	(000000-) Fitting, Hyd	1
13	769806	(000000-) Hose, Hyd	1

CUMMINS 4 CYLINDER ENGINE BREAKDOWN

Fig. 7 - Cummins 4 Cyl. Surge Tank Group

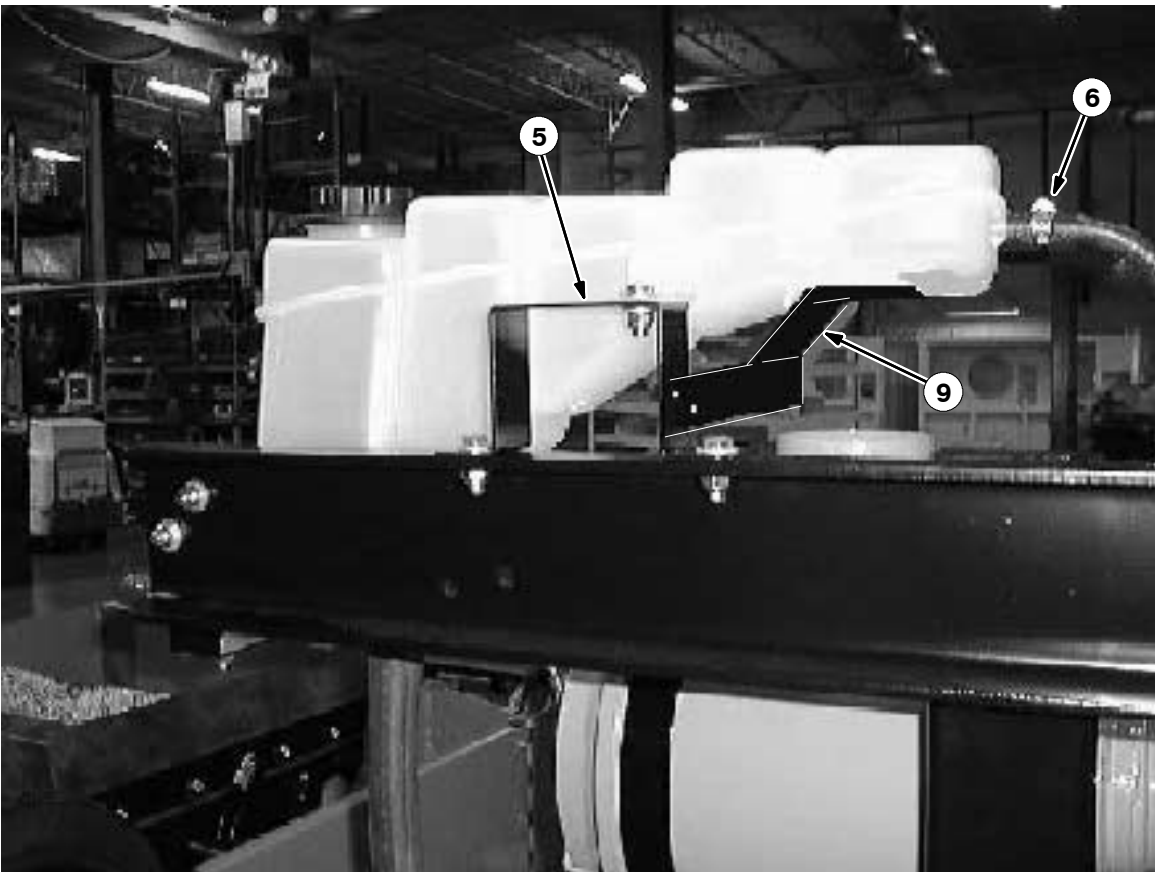
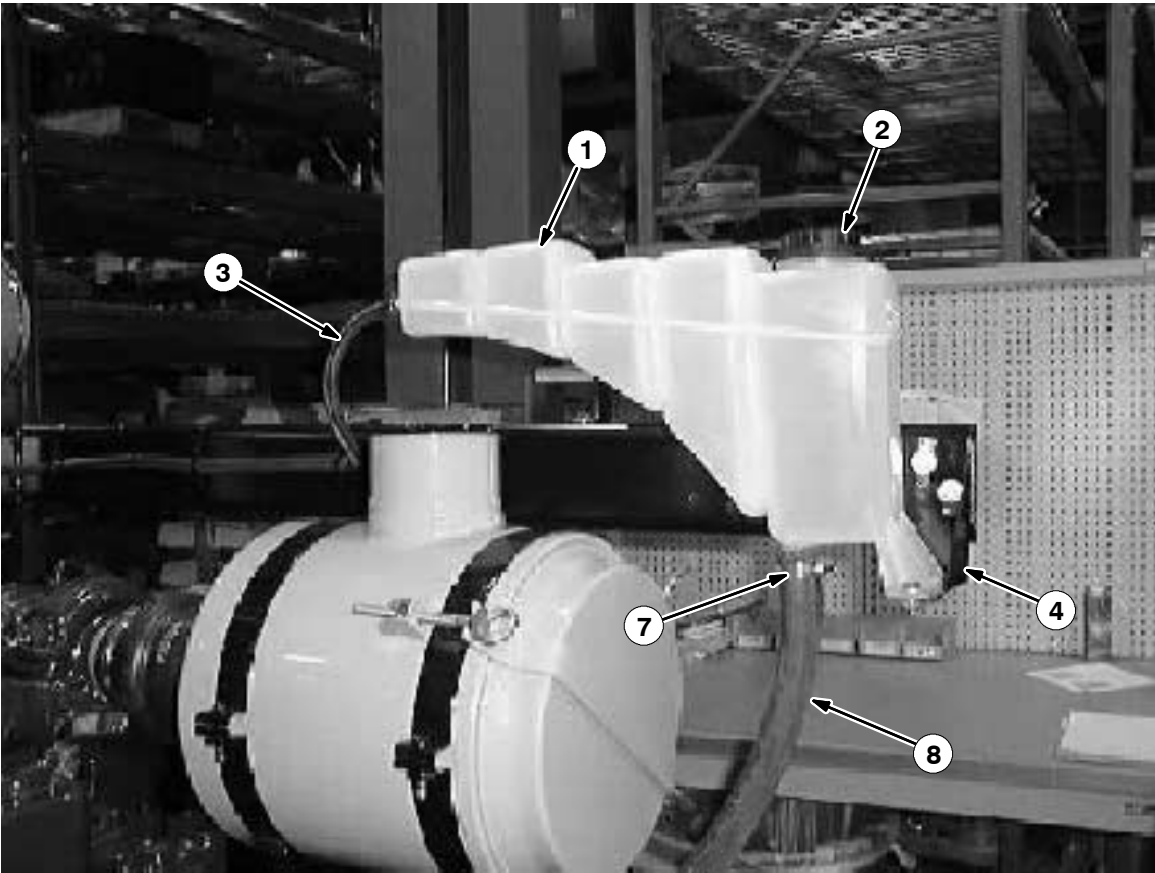
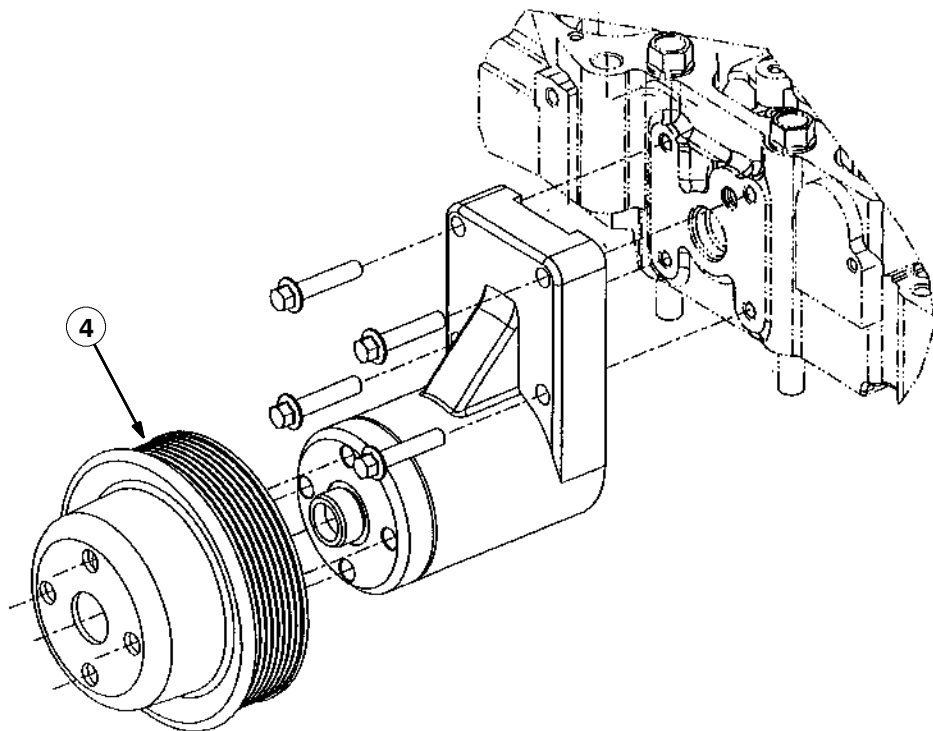
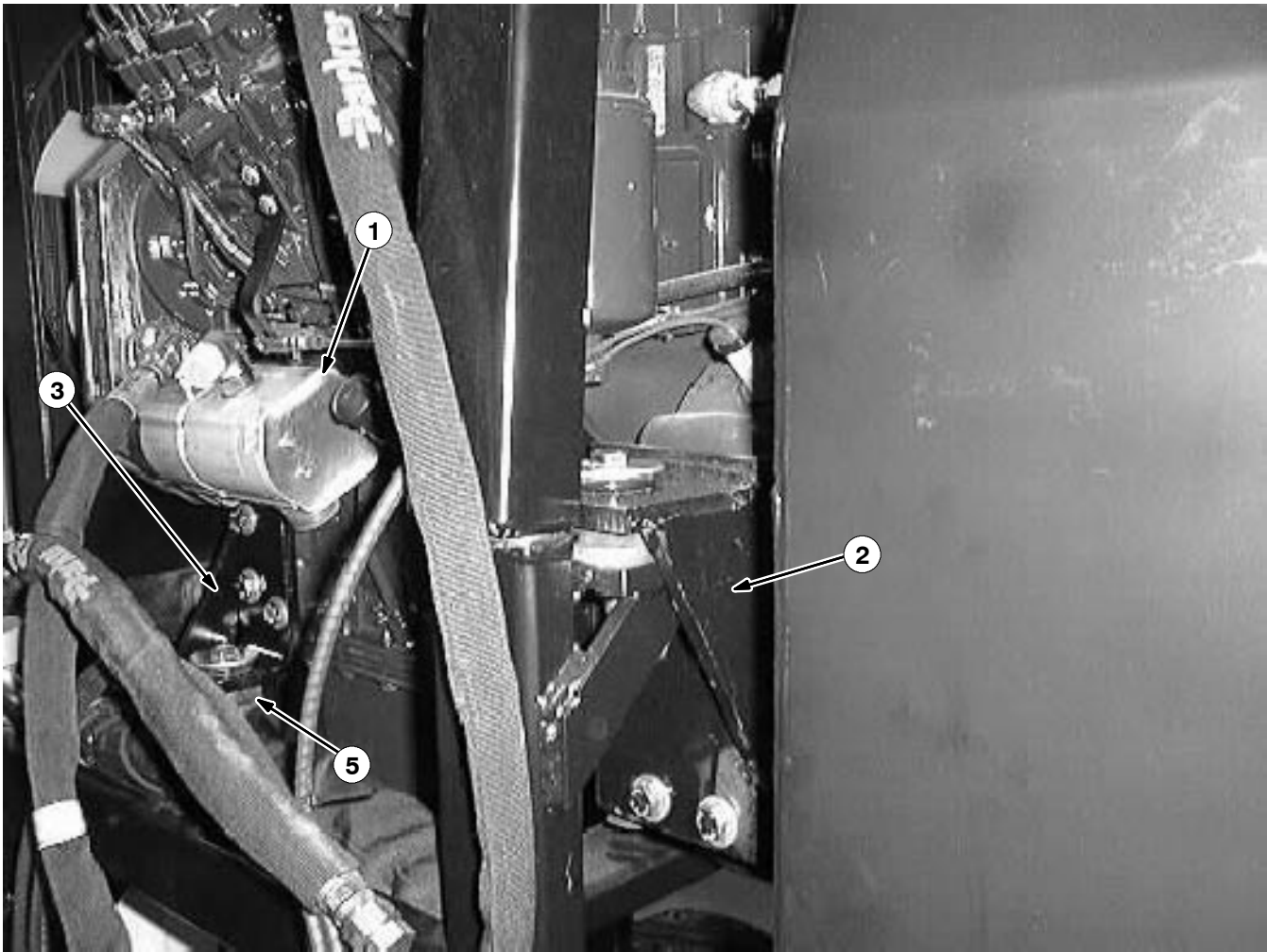


Fig. 7 - Cummins 4 Cyl. Surge Tank Group

Ref.	Tennant Part No.	Machine Serial Number	Description	Qty.
1	769464	(000000-) Tank, Coolant, Expansion	1
2	769329	(000000-) Cap, Tank, Coolant	1
3	769807	(000000-) Hose, Tank, Surge	1
4	769780	(000000-) Bracket, Tank	1
5	769779	(000000-) Bracket, Tank, Upper	1
6	11399	(000000-) Clamp	2
7	14432	(000000-) Clamp	1
8	769792	(000000-) Hose	1
9	769794	(000000-) Bracket	1

CUMMINS 4 CYLINDER ENGINE BREAKDOWN

Fig. 8 - Cummins 4 Cyl. Hydraulic Pump Group



CUMMINS 4 CYLINDER ENGINE BREAKDOWN

Fig. 8 - Cummins 4 Cyl. Hydraulic Pump Group

Ref.	Tennant Part No.	Machine Serial Number	Description	Qty.
1	769185	(000000-) Pump, Hydraulic Barnes	1
2	770616	(000000-) Bracket Wldt., Engine, Front LH	1
3	770618	(000000-) Bracket Wldt., Engine, Rear LH	1
4	769328	(000000-) Pulley	1
5	764014	(000000-) Isolator	1

CUMMINS 4 CYLINDER ENGINE BREAKDOWN

Fig. 9 - Cummins 4 Cyl. Muffler Group

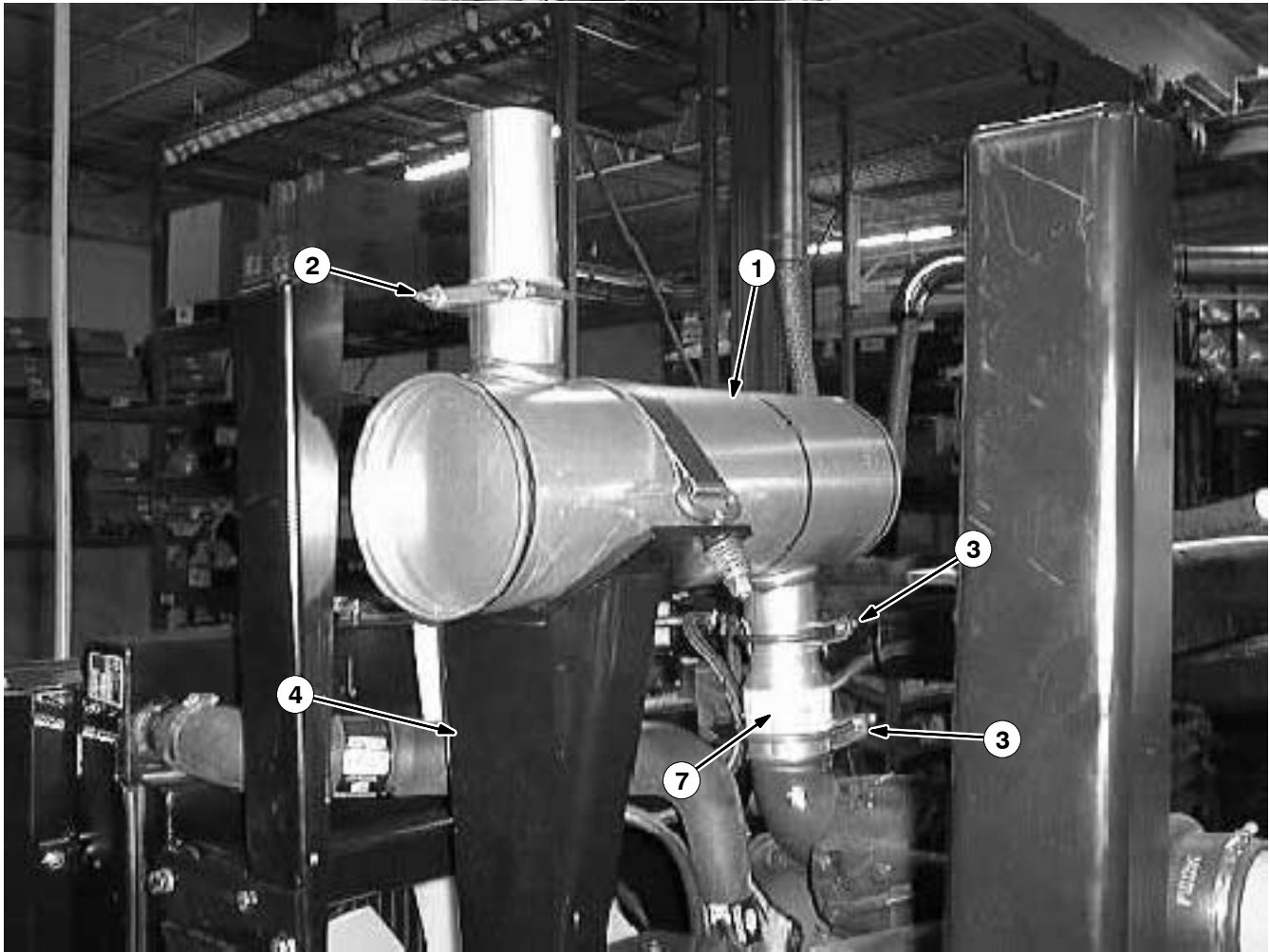
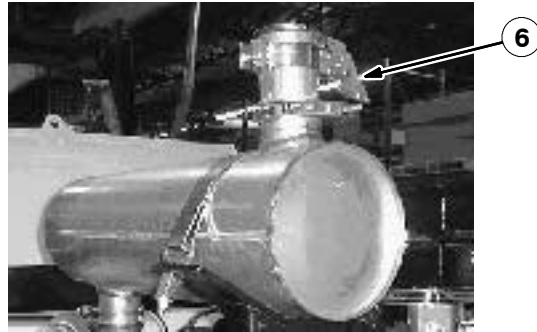


Fig. 9 - Cummins 4 Cyl. Muffler Group

Ref.	Tennant Part No.	Machine Serial Number	Description	Qty.
1	764077	(000000-) Muffler, Exhaust	1
2	769165	(000000-) Clamp, Muffler, 3.0Dia	3
3	764082	(000000-) Clamp, Muffler, 2.50Dia	1
4	769127	(000000-) Bracket Wldt, Muffler	1
5	764123	(000000-) Pipe, Exhaust	1
6	764120	(000000-) Cap	1
7	769143	(000000-) Tube	1

CUMMINS 4 CYLINDER ENGINE BREAKDOWN

Fig. 10 - Cummins 4 Cyl. Battery Group

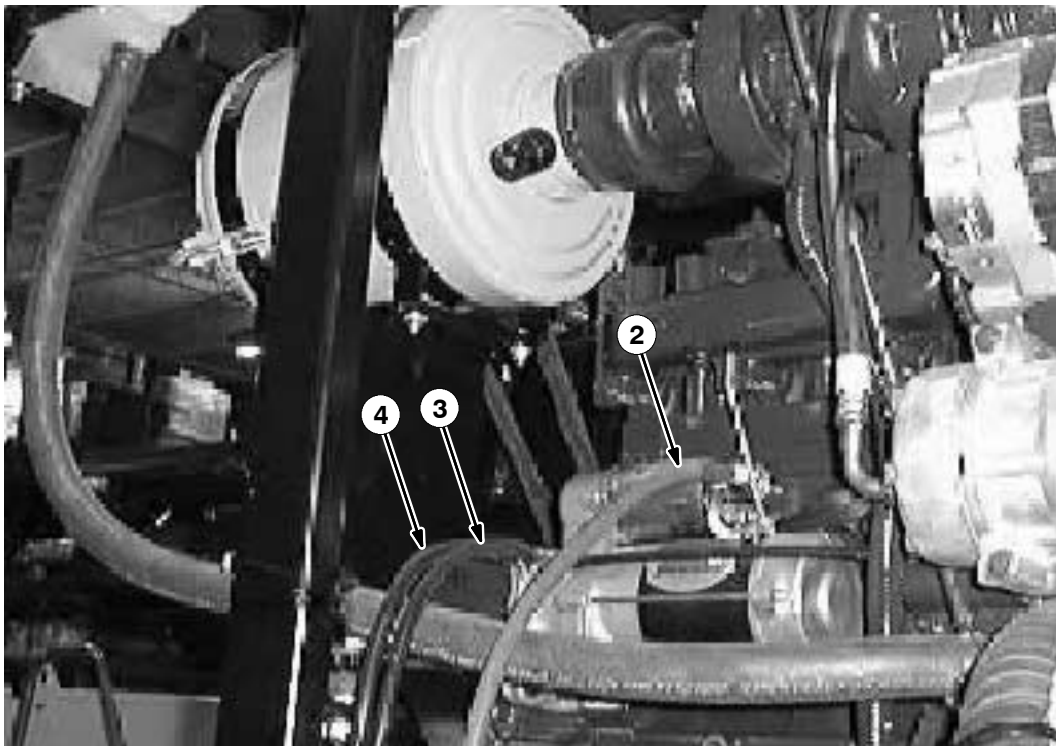
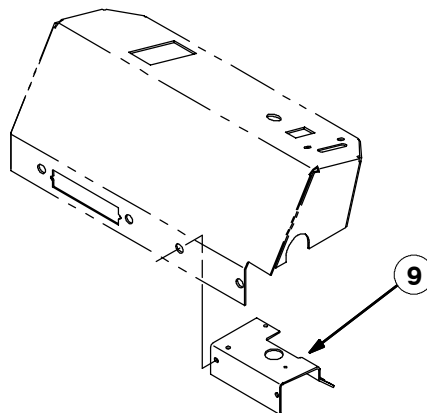
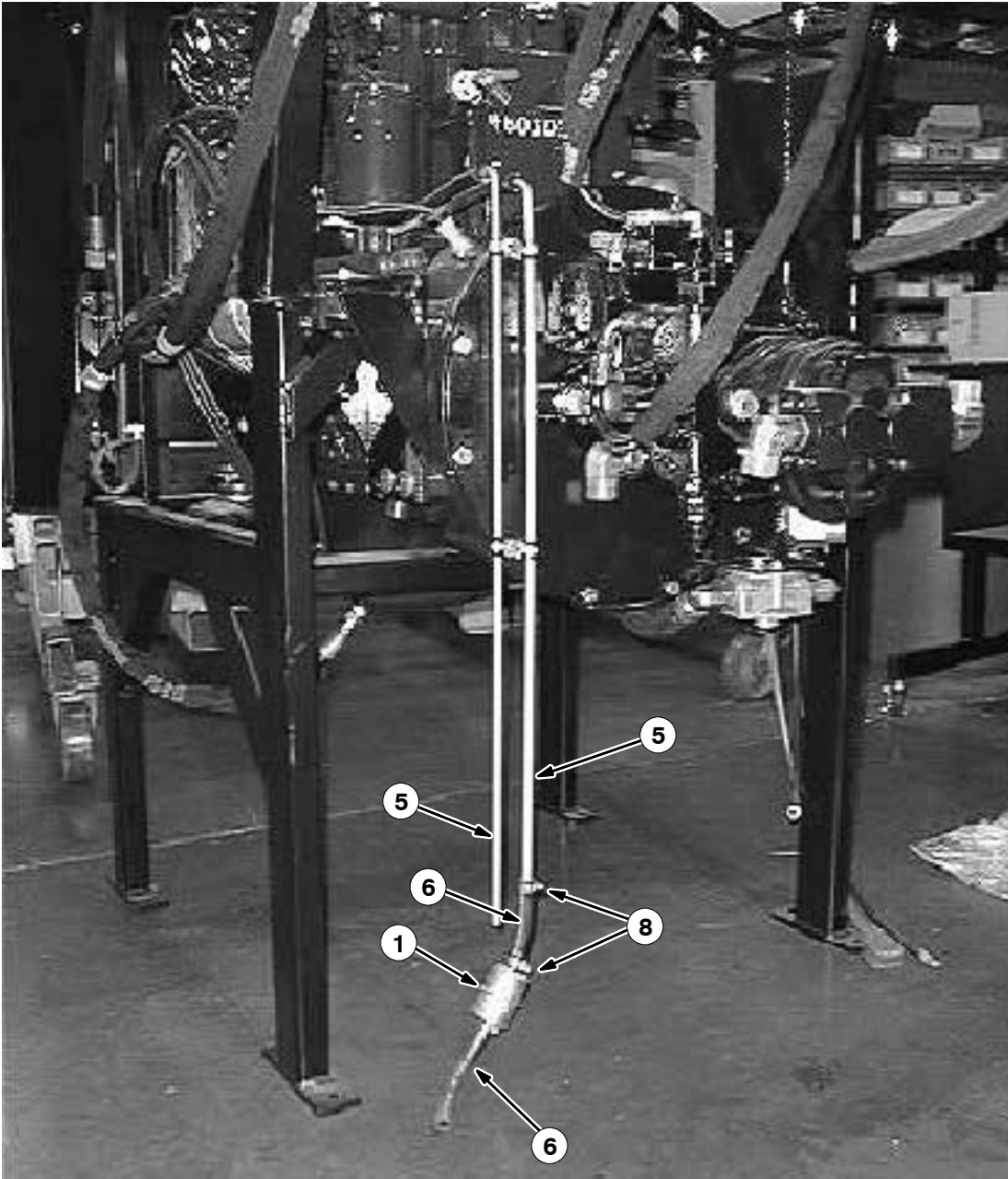


Fig. 10 - Cummins 4 Cyl. Battery Group

Ref.	Tennant Part No.	Machine Serial Number	Description	Qty.
1	310580	(000000-) Battery, 12V, 1000CCA	1
2	762554	(000000-) Wire Assy., 02GA 48.0L Red	1
3	762556	(000000-) Wire Assy., 02GA 48.0L BLK	2
4	762558	(000000-) Wire Assy., 06GA 22.0L BLK	1

CUMMINS 4 CYLINDER ENGINE BREAKDOWN

Fig. 11 - Cummins 4 Cyl. Fuel lines and Throttle Group



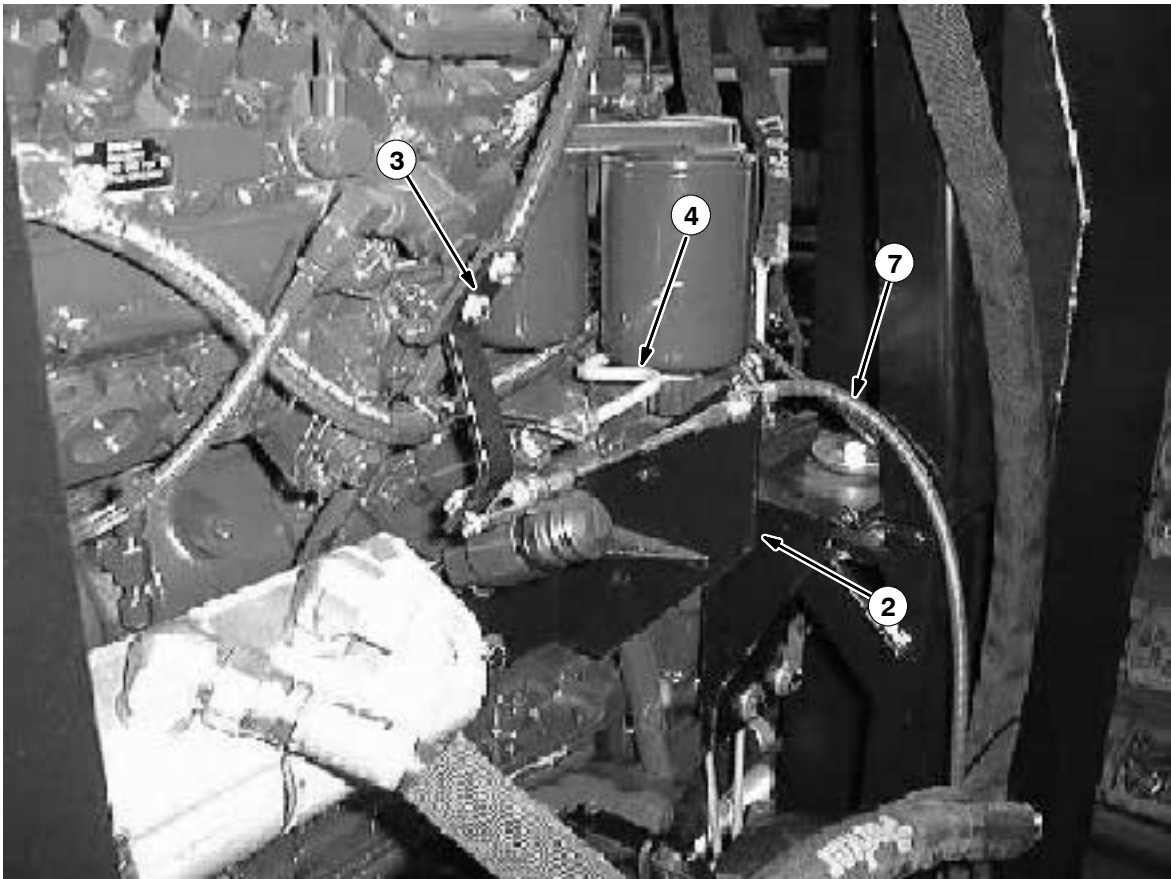
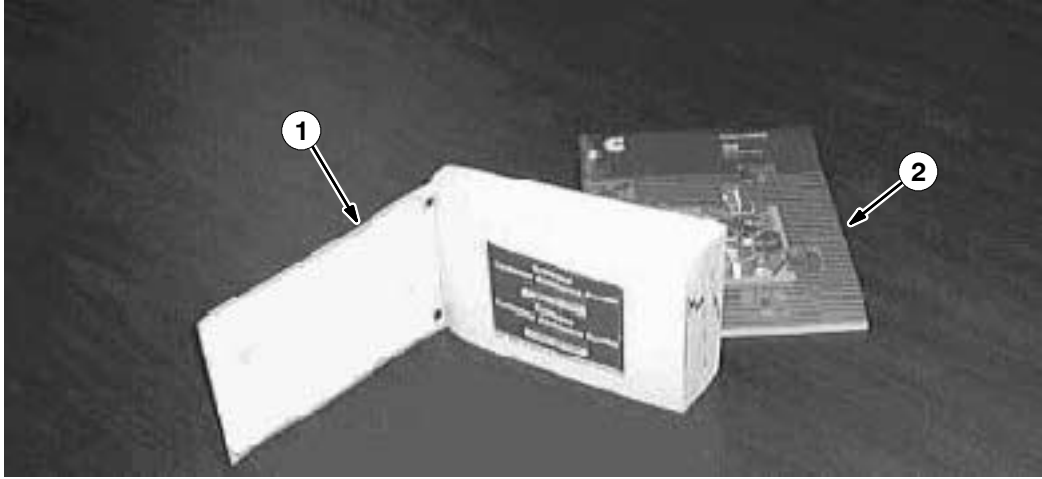


Fig. 11 - Cummins 4 Cyl. Fuel lines and Throttle Group

Ref.	Tennant Part No.	Machine Serial Number	Description	Qty.
1	769786	(000000-) Filter, Fuel	1
2	769146	(000000-) Bracket, Throttle, Cable	1
3	769147	(000000-) Lever, Throttle, Cable	1
4	768874	(000000-) Tube, Fuel, Pressure Line	1
5	768875	(000000-) Tube, Modification, Fuel	2
6	768876	(000000-) Hose, Fuel	1
7	764045	(000000-) Cable, Engine, Speed	1
8	43844	(000000-) Clamps	2
9	769172	(000000-) Bracket, Wldt, Cable, Throttle	1
	768568	(000000-) Switch, Vacuum Indicator	1

CUMMINS 4 CYLINDER ENGINE BREAKDOWN

Fig. 12 - Cummins 4 Cyl. Documentaion Group



CUMMINS 4 CYLINDER ENGINE BREAKDOWN

Fig. 12 - Cummins 4 Cyl. Documentation Group

Ref.	Tennant Part No.	Machine Serial Number	Description	Qty.
1	769008	(000000-) Operation Manual, Cummins 4 Cyl. Engine	1
2	769009	(000000-) Parts Catalog, Cummins 4 Cyl. Engine	1

CUMMINS 4 CYLINDER ENGINE BREAKDOWN
